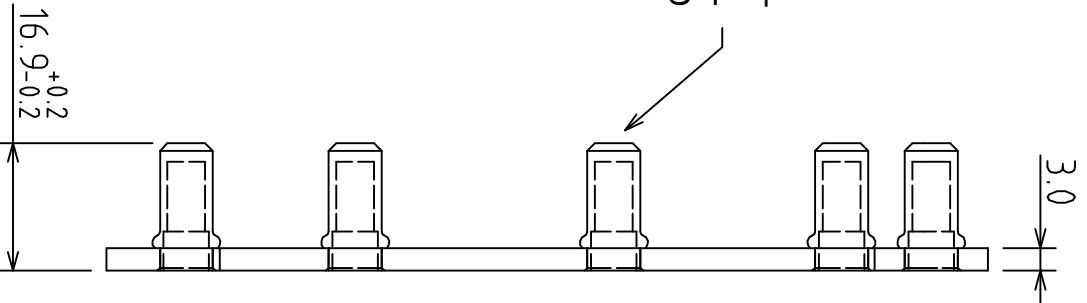


9 M5 RIVETNUTS, PART
No. KLCS - 05035 EQUI-
SPACED ON A 101.6 PCD



This drawing is the property of ATL Ltd. It must not be reproduced or copied and must be returned at any time upon demand. This drawing is also confidential and must not be disclosed to no other than an employee required to do the job. It is a condition under which this job is placed that no goods will be made modified or repaired from this drawing except in accordance with an official order from ATL Ltd.



1 Patriot Drive, Rookley,
Milton Keynes, Bucks, MK13 8PU
Tel +44 (0)1908 351700
Fax +44 (0)1908 351750
E-Mail - atl@aatltd.com

Drawn by	Template #	Quantity	Material	Date	Scale
BM			6082 - HE30 ALUMINIUM	01-06-04	1:1
Title			Customer	Part #	Issue
1016 - 9M NUTRING				TF604	0
					Sheet
					1/1