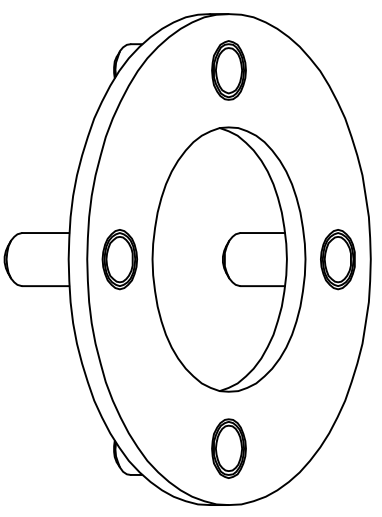
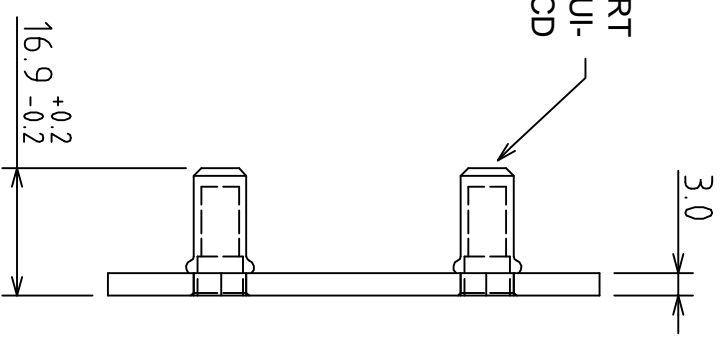
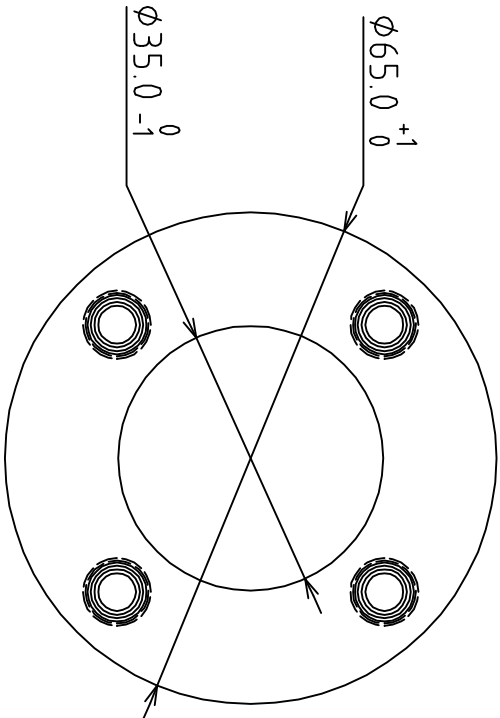


RevNo	Revision note	Date	Signature	Checked
-------	---------------	------	-----------	---------

4 M5 RIVETNUTS, PART
 No. KLCS - 05035 EQUI-
 SPACED ON A 50.0 PCD



This drawing is the property of ATL Ltd. It must not be reproduced or copied and must be returned at any time upon demand. This drawing is also confidential and must not be disclosed to no other than an employee required to do the job. It is a condition under which this job is placed that no goods will be made modified or repaired from this drawing except in accordance with an official order from ATL Ltd.



Aero Tec Laboratories Ltd
 1 Patriot Drive, Rookstey,
 Milton Keynes, Bucks, MK13 8PU
 Tel +44 (0)1908 351700
 Fax +44 (0)1908 351750
 E-Mail - atl@atltd.com

Drawn by BM	Template #	Quantity	Material 6082 - HE30 ALUMINIUM	Date 24-05-04	Scale 1:1
Title 500-4M NUTRING			Customer		
Part #	TF572	Issue	0	Sheet	1/1