

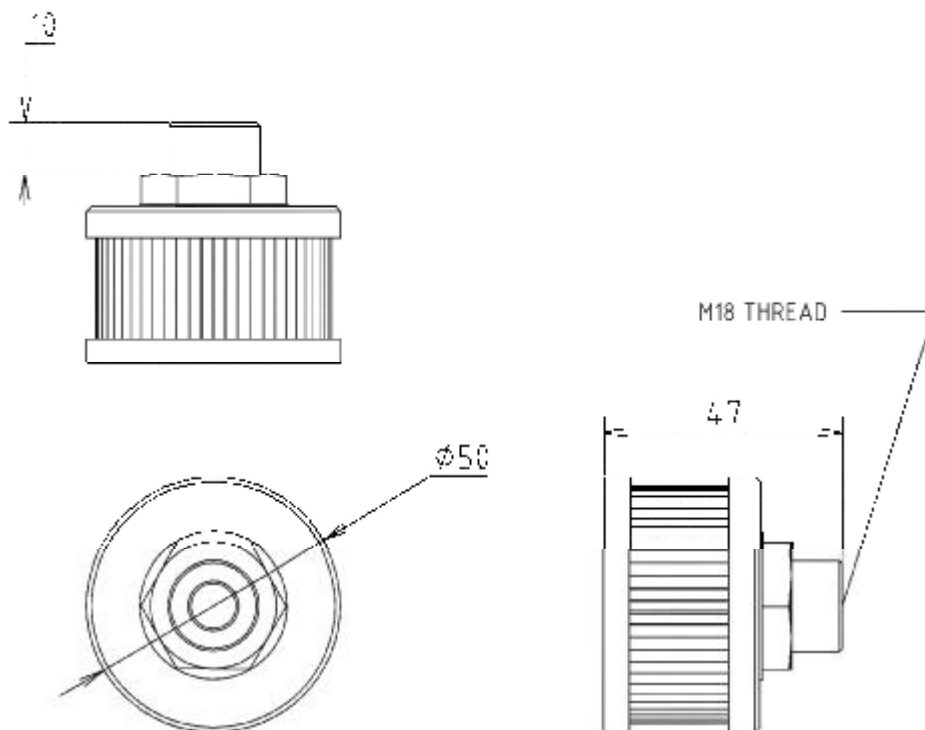


BOSCH '044' PRE-PUMP FILTER



- Part number: KS191
- Weight: 67g
- Filter rating: 60 microns (nominal)
- For In-tank Bosch '044' use only
- Associated parts: KS151 Bosch '044 Pump

The KS191 forms part of the extensive ATL fuel filter range. This pre-pump filter has been designed to fit the Bosch 8 bar '044' fuel pump. Manufactured using a 60 micron (nominal) dutch-twilled weave stainless steel filter mesh and lightweight aluminium end caps, this pleated filter construction offers vast dirt-holding capacity and the ability to withstand high flow rates with minimal pressure drop. The filter can also be cleaned by back-flushing. Please note that this filter is for in-tank use only.



Aero Tec Laboratories Ltd  
 1 Patriot Drive, Rooksley, Milton Keynes, MK13 8PU, England  
 Tel: +44 (0)1908 351700, Fax: +44 (0)1908 351750  
 Internet: [www.atltd.com](http://www.atltd.com) E-mail: [atl@atltd.com](mailto:atl@atltd.com)